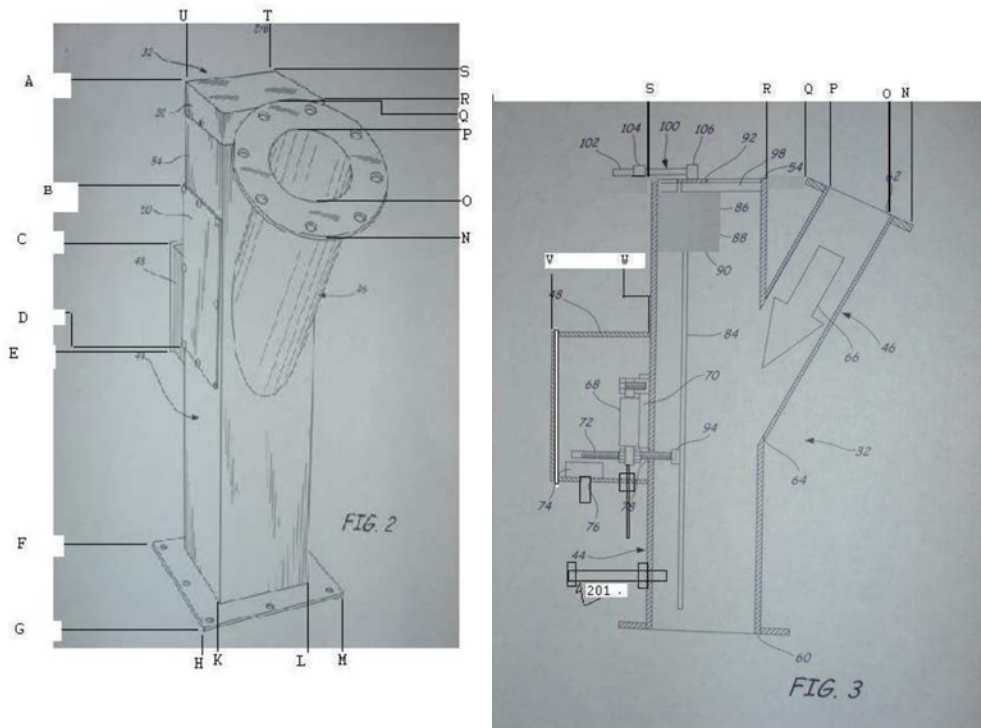


EZ_FLO Continuous Weigh Scales -

800-372-7731 952-939-6000 FAX 952-939-1026

Email clarence@clarencerichard.com web www.clarencerichard.com

Model A, B, C, D Dimensions



Model A

EZ-Flo Scale 25.5" High X 26.25 Wide (Load Cell Enclosure Door to Feed Throat Flange Far edge) X 12" Deep (Scale Base Flange Depth) Dimensions

Figure 2

- A-F Height – 25.5
- B-D Inspection Door Height 11.5"
- C-E Load Cell Box Height 8"
- N-Q Flange OD 11"
- O-P Feed Throat ID 6"
- H-M Base Flange OD 12"
- K-L Square Tube Width 8"
- B-F 18.5

Figure 3

N-Q Flange OD 11"
O-P Feed Throat ID 6"
H-M Base Flange OD 12"
K-L Square Tube Width 8"
R-Q – Cover to Flange Edge 2"
R-N Body Cavity Edge to Far Feed Throat Flange Edge 11.25"
S-R – Body Cavity Depth 8"
V-W Load Cell Box Depth 7"

Model B

EZ-Flo Scale 30.5" High X 26.25 Wide (Load Cell Enclosure Door to Feed Throat Flange Far edge) X 12" Deep (Scale Base Flange Depth) Dimensions

Figure 2

A-F Height – 30.5
B-D Inspection Door Height 12"
C-E Load Cell Box Height 8"
N-Q Flange OD 11"
O-P Feed Throat ID 6"
H-M Base Flange OD 12"
K-L Square Tube Width 8"
B-F 24"

Figure 3

N-Q Flange OD 11"
O-P Feed Throat ID 6"
H-M Base Flange OD 12"
K-L Square Tube Width 8"
R-Q – Cover to Flange Edge 2"
R-N Body Cavity Edge to Far Feed Throat Flange Edge 11.25"
S-R – Body Cavity Depth 8"
V-W Load Cell Box Depth 7"

Model C

EZ-Flo Scale 34.5" High – 8" Tube – Powder Paint Carbon Steel

34.5" High X 26.25 Wide (Load Cell Enclosure Door to Feed Throat Flange Far edge) X 12" Deep (Scale Base Flange Depth) Dimensions

Figure 2

A-F Height – 34.5
B-D Inspection Door Height 12"
C-E Load Cell Box Height 8"
N-Q Flange OD 11"
O-P Feed Throat ID 6"
H-M Base Flange OD 12"
K-L Square Tube Width 8"
B-F 27.5

Figure 3

N-Q Flange OD 11"
O-P Feed Throat ID 6"
H-M Base Flange OD 12"
K-L Square Tube Width 8"
R-Q – Cover to Flange Edge 2"
R-N Body Cavity Edge to Far Feed Throat Flange Edge 11.25"
S-R – Body Cavity Depth 8"
V-W Load Cell Box Depth 7"

Model D

EZ-Flo Scale 41" High – 10" Tube – Stainless Steel

41" High X 30" Wide (Load Cell Enclosure Door to Feed Throat Flange Far edge) X 14" Deep (Scale Base Flange Depth) Dimensions

Figure 2

A-F Height – 41
B-D Inspection Door Height 12"
C-E Load Cell Box Height 8"
N-Q Flange OD 12.5"
O-P Feed Throat ID 8"
H-M Base Flange OD 14"
K-L Square Tube Width 10"
B-F 13

Figure 3

N-Q Flange OD 12.5"

O-P Feed Throat ID 8"

H-M Base Flange OD 14"

K-L Square Tube Width 10"

R-Q – Cover to Flange Edge 1.5"

R-N Body Cavity Edge to Far Feed Throat Flange Edge 13"

S-R – Body Cavity Depth 10"

V-W Load Cell Box Depth 7"